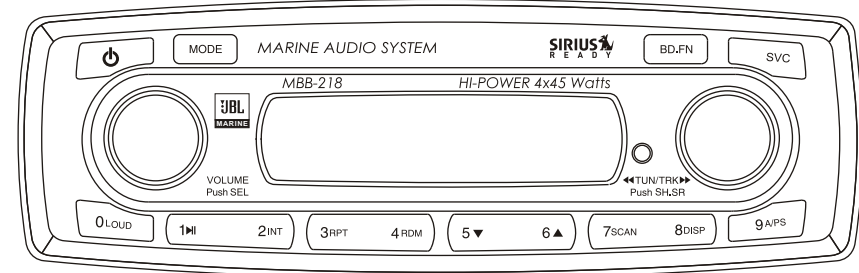




Operation Manual for Users

Model No.: MBB-218



This product is sold and serviced exclusively by Prospec Electronics Inc. and must be returned to Prospec for in and out of warranty repairs. It can not be serviced under warranty by other JBL service centers. All products sold and serviced exclusively by Prospec Electronics Inc.
For service contact us : 3325 South Morgans Point Road Mt Pleasant SC 29466
Tel 843-849-9037 Fax 843-849-9054

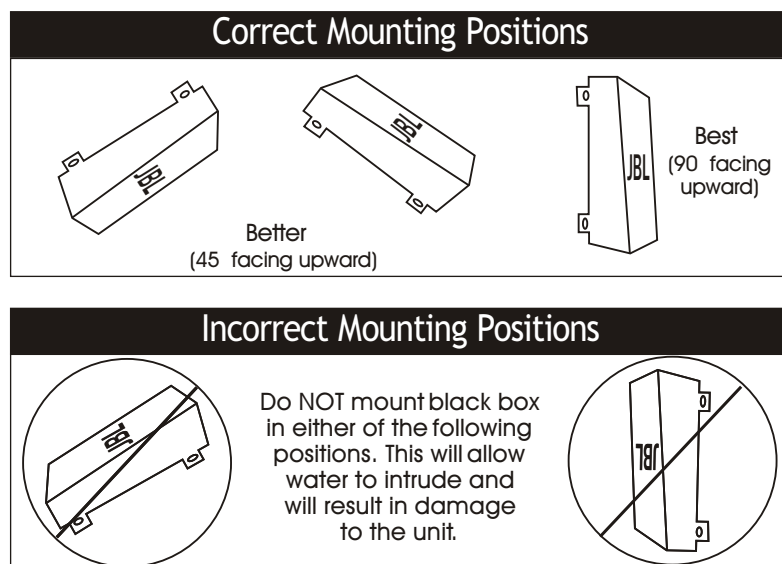
Revised 12/May/06

Mounting the Black Box

1. Precautions

Choose the mounting location carefully so that the unit will not interfere with the normal driving functions of the boat. Avoid installing the unit where it would be subject to high temperature, such as from direct sunlight or hot air, or where it would be subject to dust, dirt or excessive vibration. Use only the supplied mounting hardware for a safe and secure installation.

2. Mounting illustrations



3. Installation Note

Please find enclosed nylon wire tie-downs (wire clamps) for added support.

Contents

Contents	1
Wiring Identification	2
Installing and Removing the faceplate	3
Important Notes	4
Identification of Controls and Functions	5
Controls (In Detail)	6-7
Remote Control(Optional)	8
Station Tuning	9
Operating the CD Changer	10
Trouble Shooting Guide & Specifications	11
Mounting the Black Box	12

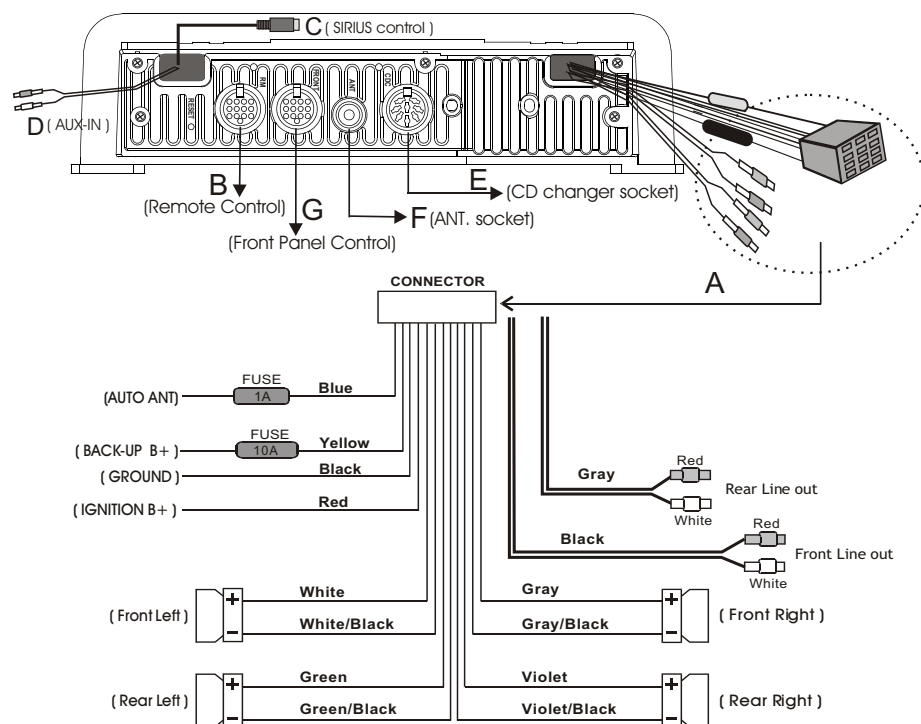
PLEASE NOTE: In order to receive Sirius Satellite Radio broadcast, you must install JBL Sir2.5 as well as a satellite antenna (both sold separately).

What is SIRIUS Satellite Radio?



SIRIUS, headquartered in New York, offers over 120 channels of digital quality radio transmitted across the continental US from three high-tech satellites. Along with offering a full spectrum of music genres, users can also listen to popular news, entertainment and sports channels. SIRIUS currently offers 65 music channels, 24 news channels (including traffic and weather), 7 sports channels (including two dedicated play-by-play channels) and 24 talk / entertainment channels. For more information on SIRIUS, visit siriusradio.com.

Wiring identification



Installation Notes

Applicable to both 2 and 4-speaker connection:

- A. Connections
- B. Din cable connection for remote control
- C. Din cable connection for SIRIUS control
- D. AUX-IN
- E. CD changer socket
- F. Antenna socket
- G. Front panel control disconnect/connect.

This radio contains four separate power amplifiers. To prevent possible damage to these amplifiers please ensure the following:

- i) The boat chassis is not used as a loudspeaker ground(-).
- ii) Front and rear loudspeaker connecting wires are not joined together.
- iii) Any wires not used when completing a two speaker installation are fully insulated.
- iv) The memory wire (yellow) is connected to a permanent + 12V supply.
- v) The power wire (red) is connected via the ignition switch of the boat.

Trouble shooting guide

INTERFERENCE ON RADIO

- Poor atmospheric conditions - Try again later in the day
- Antenna / lead broken or damaged

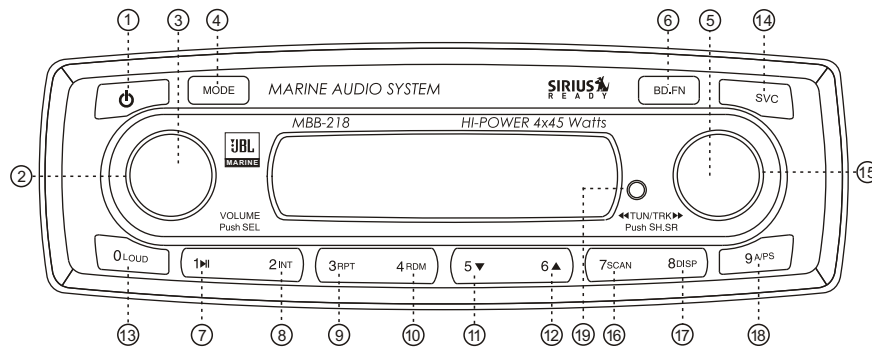
DISTORTED AUDIO

- Check loudspeaker wiring
This product contains a biamp. It is important not to connect the front loudspeaker ground to the rear speaker ground.
- Faulty loudspeaker
- Distortion at highest volume levels may be normal, as amplifier has reached maximum power output. Otherwise the power and ground wire might be too small of a gauge. Use 10amp cable or more.
- Reduce the bass effect or switch off the loudness mode
- Boat battery and or charging circuit may be faulty

Specifications

FM TUNER	AM TUNER (OPTION)
Tuning Range : 87.5 ~ 107.9MHz(USA) 87.5 ~ 108MHz(EUR)	Tuning Range : 530 ~ 1710KHz(USA) 522 ~ 1620KHz(EUR)
Sensitivity : 10dB / uV Separation : 30dB	Sensitivity : 35dB / uV
AUDIO AMP & GENERAL	
Power Output : 4 x 45 watts Power Supply : DC + 12V Negative Ground Speaker Impedance : 4 ohm	

Operating the CD changer (CD changer purchased separately)



1. Select the Radio -> CDC by pressing the **"MODE" button (4)**.

* The CD changer must be connected, if you want to operate CD function.

2. By pressing **preset button (11) or (12)**, choose the DISC that you would like to play. (This button works when you install the CD changer to the radio unit. CDC is option.)

3. Play / Pause (7)

Push to pause and push again to resume play.

4. Intro Scan (8)

Press this button to hear the first 10 seconds of each track on the disc. Press this button again to restore the player to its normal play mode.

5. Repeat play button (9)

While playing a desired track, press the RPT button to play the track repeatedly. Press the RPT button again to return to normal play mode.

6. Random play button (10)

Press the RDM button to play all tracks on a CD disc in a random sequence. Press the RDM button again to return the player to normal mode.

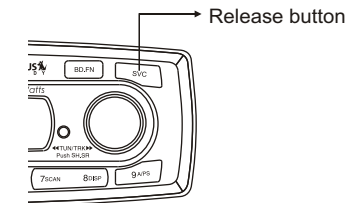
7. Track Tuning (15)

Search the tracks on the DISC with the TUNE (15) button clockwise or counter-clockwise. If you press and hold turn to the button continuously, the track goes fast - forward ►► or rewind ◄◄.

Installing and Removing the Faceplate

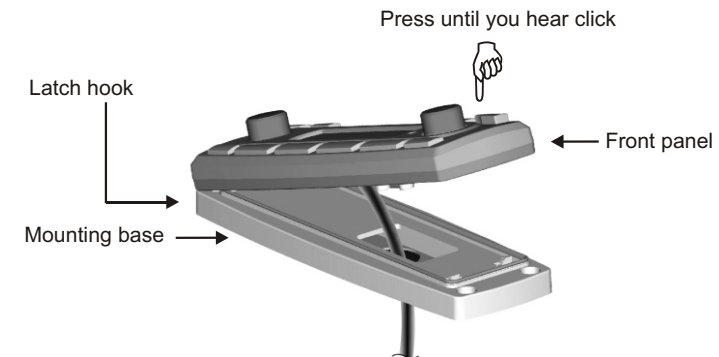
1. To remove the face plate:

- When the unit needs service, press this SVC button to remove front panel.
- The faceplate cable will also need to be unplugged from the black command module.



2. To replace front panel - see following Place:

Latch hook in opening on left side of mounting base. Align front panel with mounting base. Snap right side of front panel onto mounting base.



Important notes

Prior to the final installation, carry out a sound check. If high distortion or intermittent sound is experienced, it is possible that the wiring from the CD receiver to the boat's electrical system is poor or that the battery needs recharging.

If the battery and its charging circuit are OK, then rewire the yellow fused wire of the CD player directly to the positive terminal (+) of the boat battery.

Marine accessory shops stock the connector blocks and the 10 Amp cable that may be necessary for extending the fuse wire connection.

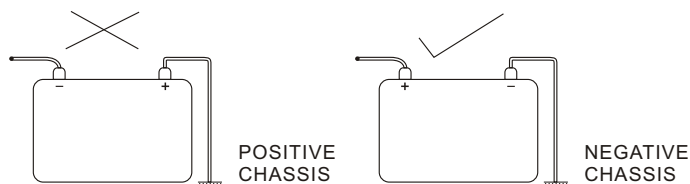
■ Grounding

Make sure that the black wire on the wiring harness is connected to a good ground point on the boat. If the chassis of the boat is used as a grounding point, make sure that the surface is scraped clean of paint before attaching the wire to it.

It is preferable to connect the black ground wire directly to negative terminal (-) of the boat battery.

■ Warning: polarity...

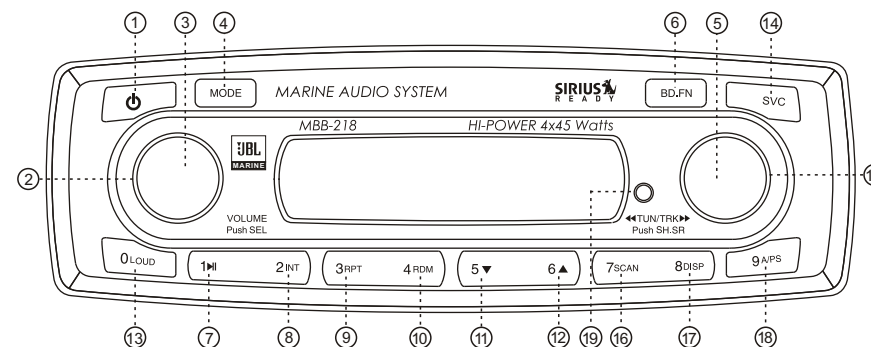
This model is only suitable for use in boats which have a Negative ground system, e. g. : the negative terminal of the boat battery is connected to the chassis.



■ Connecting the Speakers and Power Cables

Before you wire your system, disconnect your boat battery's positive (+) cable. This helps prevent damage in case of a short. When you complete the wiring, reconnect the battery cable and test your marine stereo. When connecting your marine stereo's black ground wire, be sure to connect the wire to a metal part of your boat or preferably to the negative (-) terminal of the boat battery.

Station Tuning



1. Manual/Seek tuning buttons (15): Press this button quickly to activate the Seek mode. The Seek mode will automatically seek up or down the wave band and stop at the next station of sufficient signal strength. Press and hold tuning buttons for 2 seconds to enter manual tuning mode. The unit will revert back to Seek mode after 10 seconds without use.

2. Manual Station store: Select the desired band and tune to a radio station to be memorized. Choose the preset button memory location 1-6 into which the station is to be stored and press and hold that preset button for 2 seconds. The station will now be entered into the preset memory. 6 stations can be memorized on each of the FM1, FM2, FM3, AM1, AM2.

3. A.PS - Auto store function (18)

Press and hold button (18) for approximately 2 seconds until you hear a beep which confirms the memory function is engaged. The unit will "SEARCH" for six strong stations and automatically store them on buttons 1 - 6. You can override the preset station on any button by manually setting a new frequency.

4. Scan (16)

Press this key (SCAN 16) to scan strong stations for previewing. At the desired station press the "SCAN (16)" button again to stop scanning.

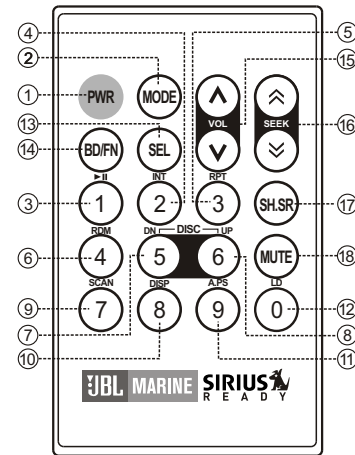
5. Program Memory Scan

Momentarily press A.PS and unit will scan for stored stations. Momentarily press it again to stop scanning.

Remote Control (Option)

A. Function and Name

1. Power on/off button
2. MODE button
< Radio -> CD -> CDC -> SIRIUS -> AUX-IN >
3. CD Play/Pause / preset 1 button
4. CD Intro Scan button / preset 2 button
5. CD Repeat Track button / preset 3 button
6. CD Random play button / preset 4 button
7. DISC DOWN (CDC) / preset 5 button
8. DISC UP (CDC) / preset 6 button
9. SCAN button (# 7 SIRIUS only)
10. DISP button (# 8 SIRIUS only)
11. A.PS (Auto Preset Scan) button (# 9 SIRIUS only)
12. LOUD (loudness) button (# 0 SIRIUS only)
13. SEL (Select) button
14. BD/FN button
15. VOLUME UP/DOWN button
16. Radio Tune UP/DOWN, CD Track UP/DOWN
17. SH.SR (SHIFT / SCROLL) button
18. MUTE button

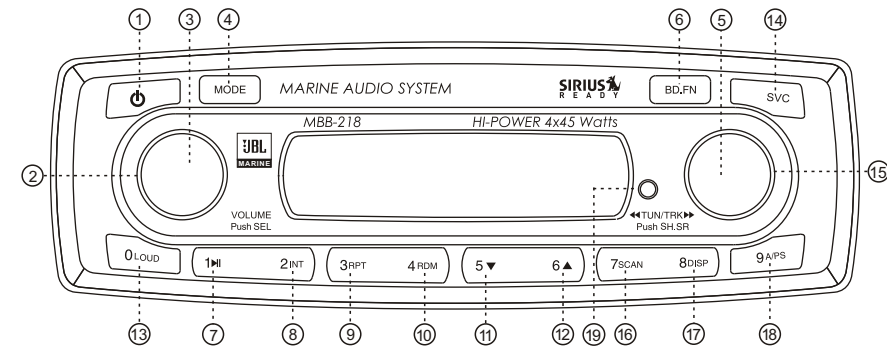


B. How to exchange the battery

Open the cover of the back of remote marked Battery.
Place battery as indicated on the back of the remote noting polarity.

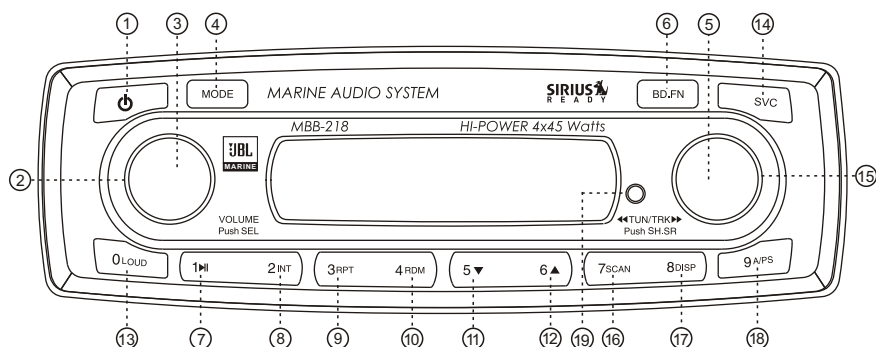
* Replacement Battery : Cr2025

Identification of controls and functions



1. POWER ON / OFF button
2. Spindle knob (adjustment-audio control knob)
3. Electronic function SELECT button
4. MODE button < Radio -> CDC -> SIRIUS -> AUX-IN >
(Note: CD changer must be connected for CDC capability)
5. SH. SR (SHIFT / SCROLL) button (SIRIUS only)
6. BD. FN button
7. CD play / pause button (CDC must be connected), radio preset 1 button
8. CD intro scan button (CDC must be connected), radio preset 2 button
9. CD repeat track button (CDC must be connected), radio preset 3 button
10. CD random play button (CDC must be connected), radio preset 4 button
11. DISC DOWN (CD changer) button, radio preset 5 button
12. DISC UP (CD changer), radio preset 6 button
13. LOUD (loudness) button (#0 SIRIUS only)
14. Front panel release button or take out the front panel button
15. Radio tune UP / DOWN button, CD track UP / DOWN button
16. SCAN button (#7 SIRIUS only)
17. DISP (display) button (#8 SIRIUS only)
18. A.PS - Auto Preset Scan button (#9 SIRIUS only)
19. Remote sensor hole

Controls (In Detail)



1. POWER ON/OFF button (1)

Push the PWR button (1) to turn on the unit. Push the button again to turn off the unit.

2. SELECT button (3)

1) Audio control (VOLUME / BASS / TREBLE / BALANCE / FADER)

Press key quickly to select the following features:

"VOL" display - volume control > press key (3)>

"BAS" display - bass tone control >press key (3)>

Turn spindle knob left to lower the bass, turn it right to increase bass.

"TRB" display - treble tone control > press key (3)>

Turn spindle knob left to lower the treble, turn right to increase treble.

"BAL" display - balance control > press key (3)>

Turn spindle knob left to decrease the right speaker volume.

Turn right to increase the left speaker volume.

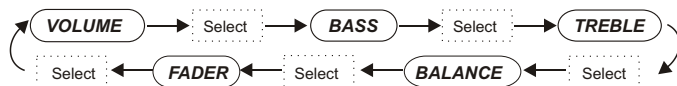
"FAD" display - fader control > press key (3)>

Turn spindle knob left decrease the volume level of any speakers connected to the front channel.

Turn right to decrease the volume level of any speakers connected to the rear channel.

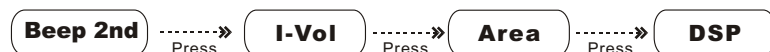
Then use the spindle knob to adjust. If the key or one of the keys is not pressed within 5 seconds, the radio automatically switches into volume control mode.

These settings are indicated on the display window.



2) Beep 2nd , I-Vol , Area and DSP Selection

When the SEL button (3) is pressed over 2 seconds, the unit will be operated as below:



Controls (In Detail) Continued

a. Beep 2nd

On the beep 2nd, you can control the Beep on or Beep 2nd by turning the spindle knob.

- Beep on : You can hear "beep" sound when you press all buttons.

- Beep 2nd :You can hear "beep" sound when you press the button over 1.5 seconds.

b. I-Vol

By pressing the SEL button again, the unit will be in I-VOL mode (Initial Volume Level Adjustment). You can adjust the I-Vol to the setting you want by turning the spindle knob. After setting the initial level, when the unit is power on/off, detach on/off, and ACC on/off, the I-VOL will keep the volume adjusted to the preset level when unit is turned on.

c. Area Selection

By pressing SEL button again, the unit will be in Area Selection mode. Use the spindle knob to choose USA or EUR (Europe). Press and hold the BAND button for 1-2 seconds to set the format.

d. DSP

Choose from flat, classic, pop or rock by pressing the SEL button again. Adjust with spindle knob.

3. Volume control

Turn the spindle knob (2) left or right to decrease or increase the volume level. The radio will automatically default to volume mode when powered up.

4. "MODE" button (4)

Press this button to select Radio → CDC → SIRIUS → AUX-IN.

5. SH.SR (SHIFT / SCROLL) button (5)

SIRIUS function button only.

6. BD.FN button (6)

Pressing the BD.FN button will shift FM/AM bands
FM1 → FM2 → FM3 → AM1 → AM2

7. Loudness function (13)

In order to emphasize the bass and the treble at low volume, press the LOUD (13) button. To turn off loudness press the LOUD button again

8.DISP (17)

1) Press once to see clock , press again and it turns back to the radio frequency. On the SIRIUS mode , it works as preset #8DISP.

2) Adjust the clock / time

a. Press and hold the DISP (17) button until the time flashes on the display.

b. Turn volume knob clockwise to set hour.

c. Turn volume knob counter clockwise to set minutes.

d. Press the DISP(17) button again quickly to accept the adjusted time.

If no button is pressed within 5 seconds, then it automatically accepts the adjusted time without further intervention from the user.