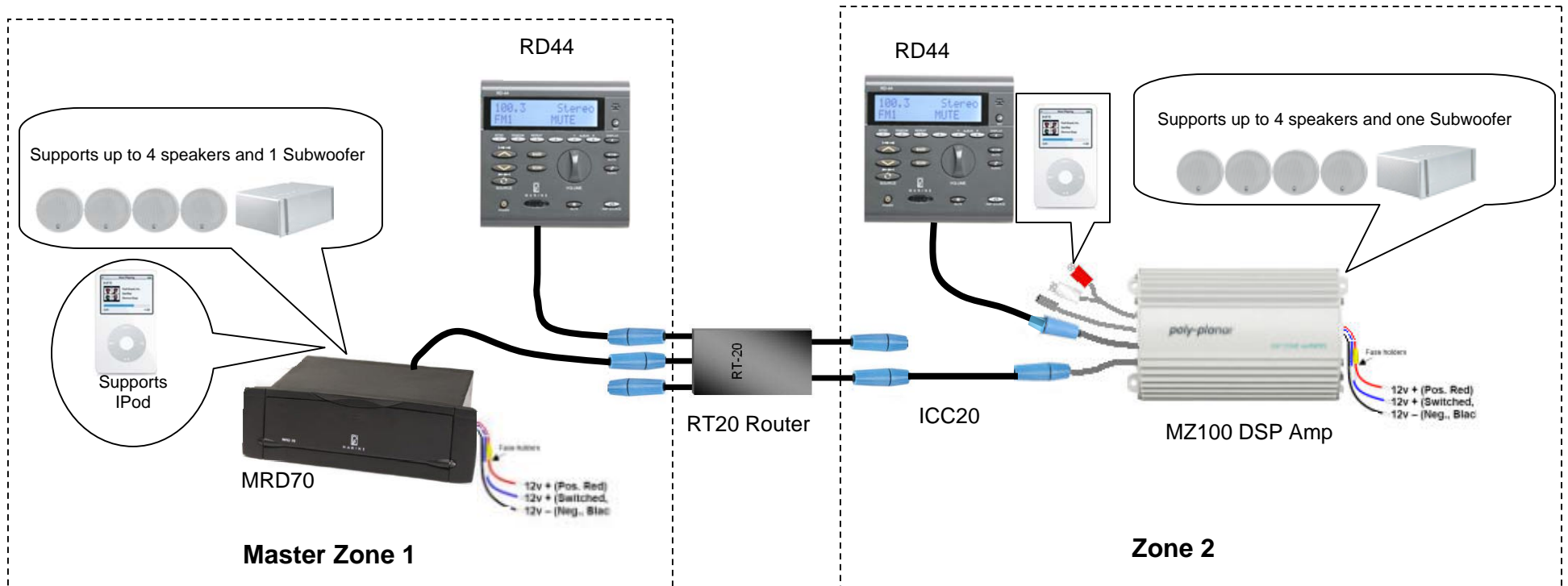


MRD70 2 Zone System Diagram



- This 2 zone configuration would allow independent control in each zone including intercom feature.
- The MRD70 base unit has 2 Auxiliary stereo audio inputs, one output
- The MZ100 allows separate volume control within it's zone and has 1 stereo input and 8 EQ Presets.
- System may require additional interconnect cables (ICC10, ICC20, ICC60)
- **System may be expanded to include 2 additional zones**